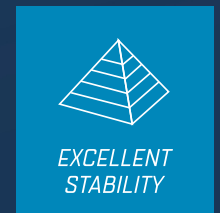
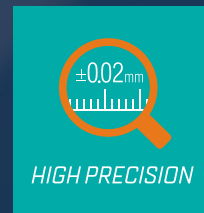
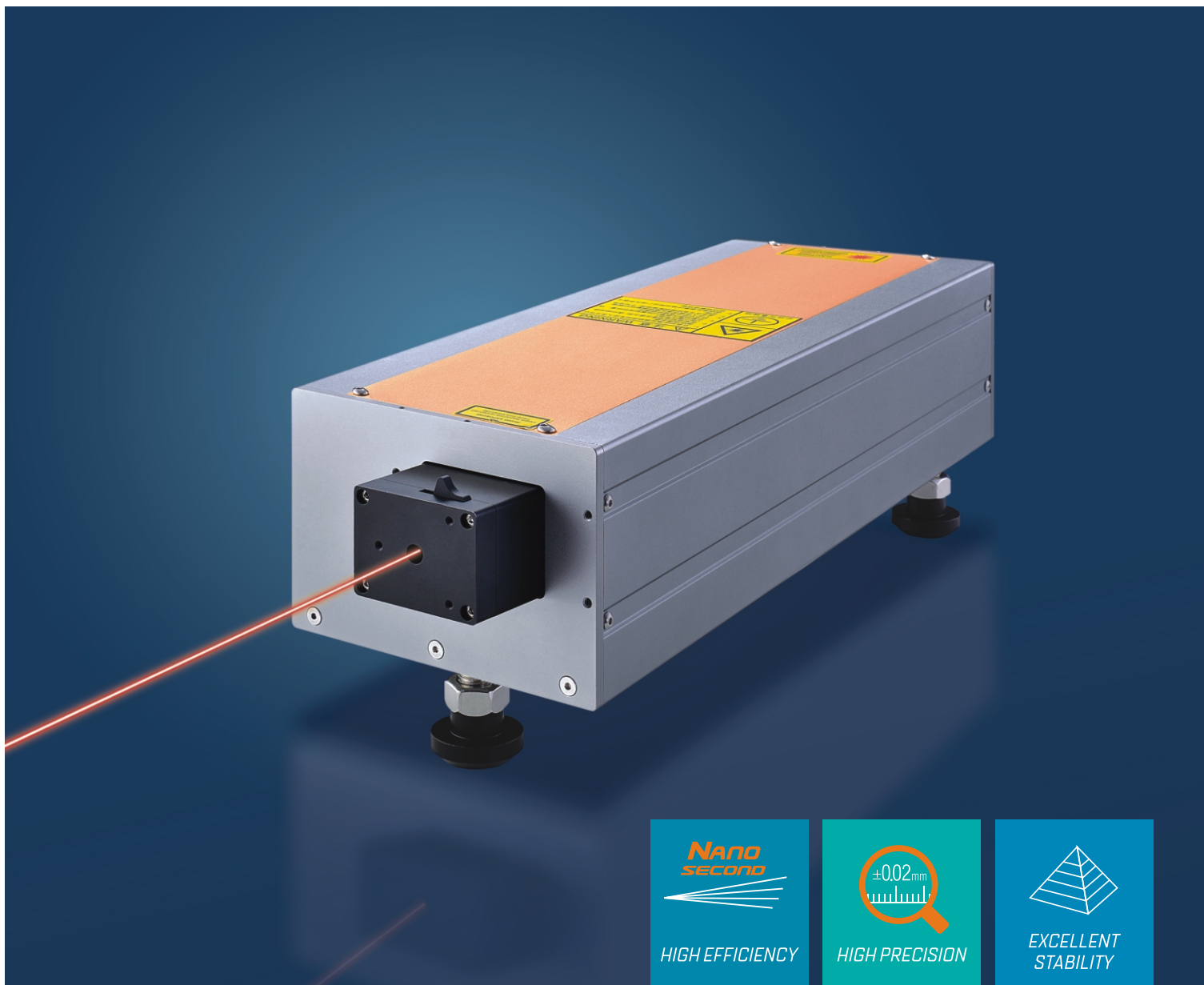


NANO UV LASER

K-6 series 4W-6W Integrated UV Laser



K-6 series UV DPSS laser, developed and produced by RFH, covers 4W-6W in laser power with short pulse width ($<20\text{ns}@30\text{K}$), Superior beam quality ($M^2 < 1.2$) and perfect laser spot quality (beam circularity $> 90\%$).



FEATURES

- Laser wavelength at 354.7nm, repetition rates cover a wide range(single pulse to 200kHz) ; laser power ranging from 4W-6W;
- Exceptional beam quality ($M^2 < 1.2$) , absolutely assured in all repetition rates; relatively short pulse width $< 20\text{ns}$ @30k with little heat transfer to surrounding material; perfect beam spot quality(Beam Circularity $> 90\%$);
- Unique Q-switching technology, adapts a variety of control requirements of laser applications;
- Online refreshment for harmonic coupling technology; Excellent long term power stability;
- Digital control technology for the driver, enables user to command through RS232;
- This laser adopts one - style design with compact and reasonable structure, easy installation.

PARAMETER

PARAMETER	INDEX	DESCRIPTION
Laser wavelength	355nm	
Average Output Power	4/6/8W	@30kHz
Pulse Width	$< 20\text{ns}$	@30kHz
Pulse Repetition Rate	10-200kHz	
Spatial Mode	TEM00	
M^2	< 1.2	
Beam Diameter	$0.8 \pm 0.1\text{mm}$	Measured at window
Beam Full Divergence Angle	$< 1.2\text{mrad}$	
Beam Circularity	$> 90\%$	
Pulse-to-Pulse Stability	$< 3\%$	RMS
Average Power Stability	$< 5\%$	RMS/8hr
Beam-Pointing Drift	$< 25\mu\text{rad}/^\circ\text{C}$	
Polarization Ratio	$> 100:1$	
Polarization Orientation	Horizontal	
Operating Temp. & RH	10°C to 35°C	
	$< 90\%$	
Storage Temp. & RH	-20°C to 65°C	
	$< 90\%$	
Electricity Requirement	100-240VAC	单相Single phase
	50/60Hz	
Power Consumption	$< 500\text{W}$	
Warranty	18Months	

Laser power and other characteristics can be optimized in different repetition frequency ranges ;
The temperature referred to is the ambient temperature.

Application

K-6 series laser is ideal for high-end ultra-precise processing as well as marking in mobile phone shell , package of cosmetics, food, medicine and other high polymer materials, PCB, LCD, glassware surface, metal's cladding material, plastic keypad, electronic component, gift, communication device, construction material and other areas.



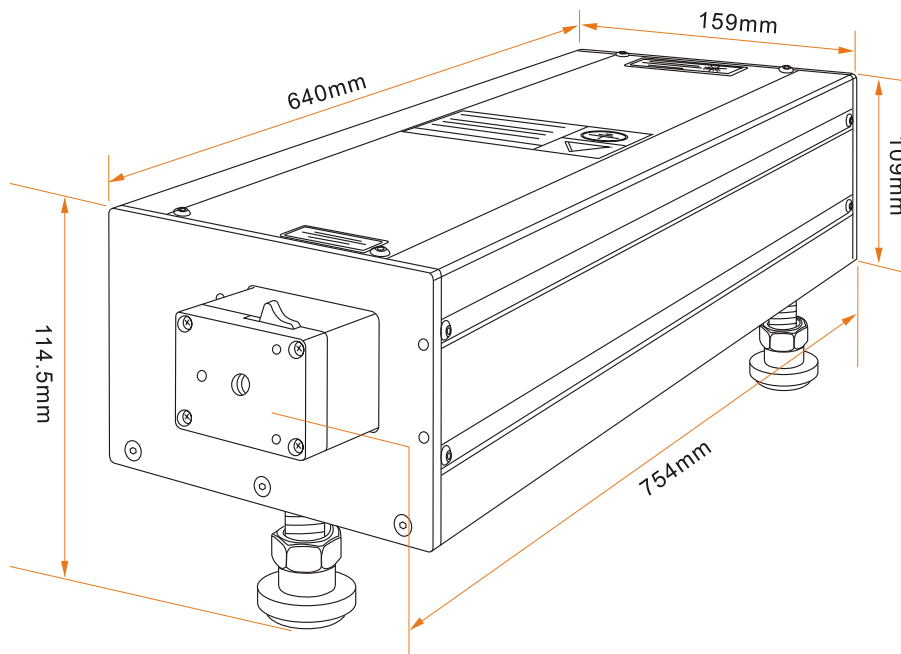
Electronic products



Phone shell



Food packet



SHENZHEN RFH LASER TECHNOLOGY CO., LTD.

Add: 2nd Floor, Building M10, Central District, High-tech Industrial Park, Nanshan District, Shenzhen

Tel: +86-755-86375012 Fax: +86-755-86028961

Email: sales@rfhlasertech.com [Http://www.rfhlasertech.com](http://www.rfhlasertech.com)

Service Hotline: +86-755-86375012